



# TOMOS

YOUNGST 'R full

## SPARE PARTS MANUALS

---



**Hidria**

## Contents

CRANKCASE, CYLINDER, PISTON.....	4
CRANKSHAFT, CLUTCH .....	6
COUNTERSHAFT, MAINSHAFT .....	8
STRARTER MECHANISM .....	10
MAGNETO ASSEMBLY, ELECTRIC STARTER .....	12
OIL PUMP, OIL TANK .....	14
CARBURATOR, INTAKE SILENCER .....	16
EXHAUST, SEAT, COVERS .....	18
DECALS .....	20
MUDGUARDS .....	21
FRAME, REAR FORK, CENTRAL STAND .....	23
GRIPS, CABLES .....	27
HANDELBAR, SPEEDOMETER, MIRROR .....	29
FRONT WHEEL .....	31
REAR WHEEL.....	33
ELECTRIC PARTS.....	36

<b>TYPE-MODEL</b> <b>236555 A26BAC YOUNGST'R 45</b> Vin-nr. is denominated from 4 to 11. nr. for EU directive	<b>MODELS</b> <b>A</b>
---------------------------------------------------------------------------------------------------------------------	---------------------------

**LEGEND FOR ADDITIONALLY MARKED PARTS**

a,b... option..(genuine parts)  
 1,2... various parts, which have same part nr. as parts on group picture  
 G base coat (ground coat) painted parts  
 L color painted parts  
 C chromed parts  
 M optional parts (parts which are used for another type of motor vehicle)  
 N unprotected parts (plastic parts)  
 P parts used in case of need (not mandatory by Bill of Material-BOM)  
 Z Interchangeable parts (parts which could be used instead of listed parts in case listed ones are not on stock)

**PAINTED PARTS (PROTECTED) PARTS**

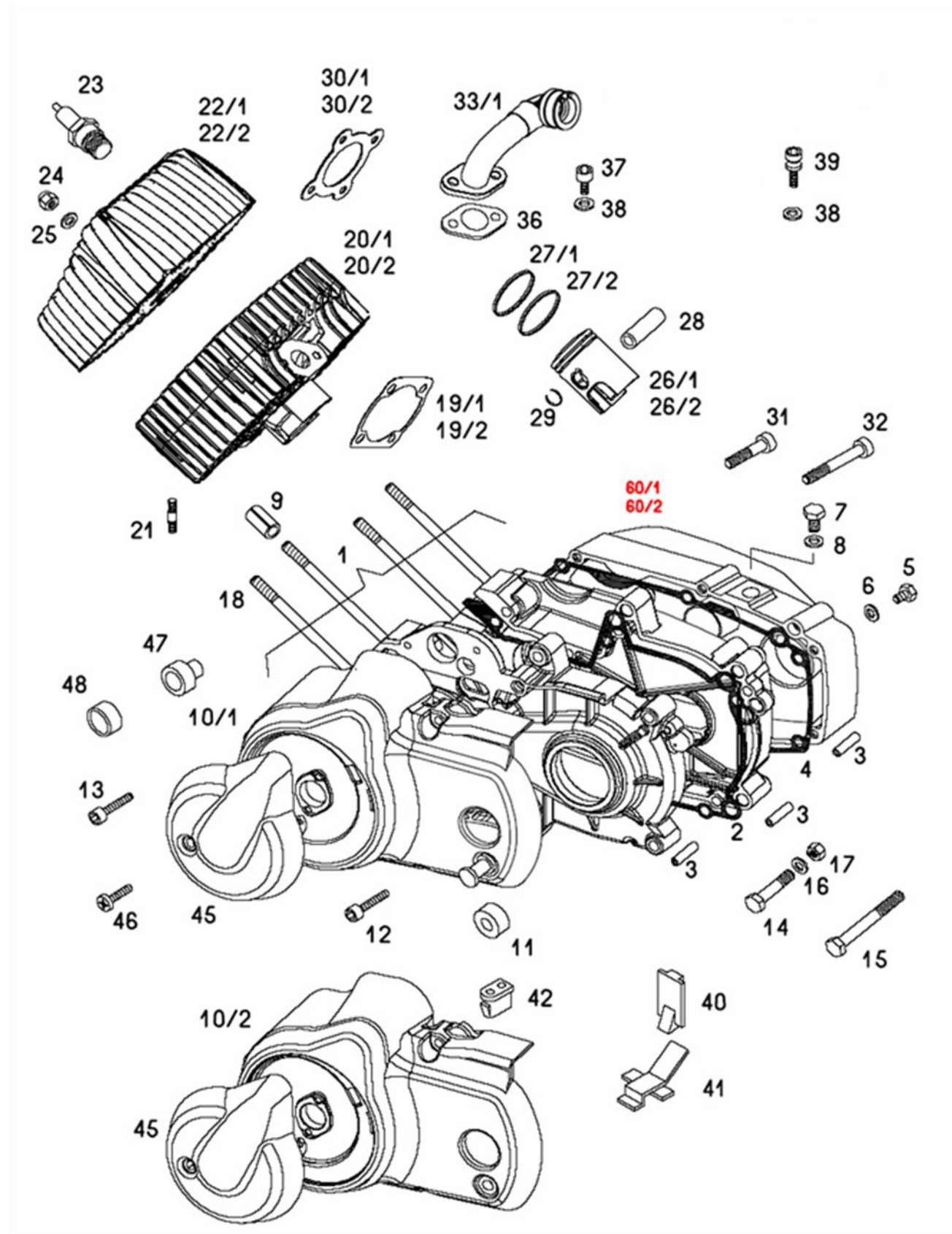
241000LAK – color painted parts; please provide information of color  
 241000X91 – black painted parts; black-temperature resistant color  
 241000C51 - chromed - lights

**EXAMPLE FOR CHANGE**

01/00 do - parts was built on vehicle till januar 2000  
 11/01 od - parts we built on vehicle from november 2001

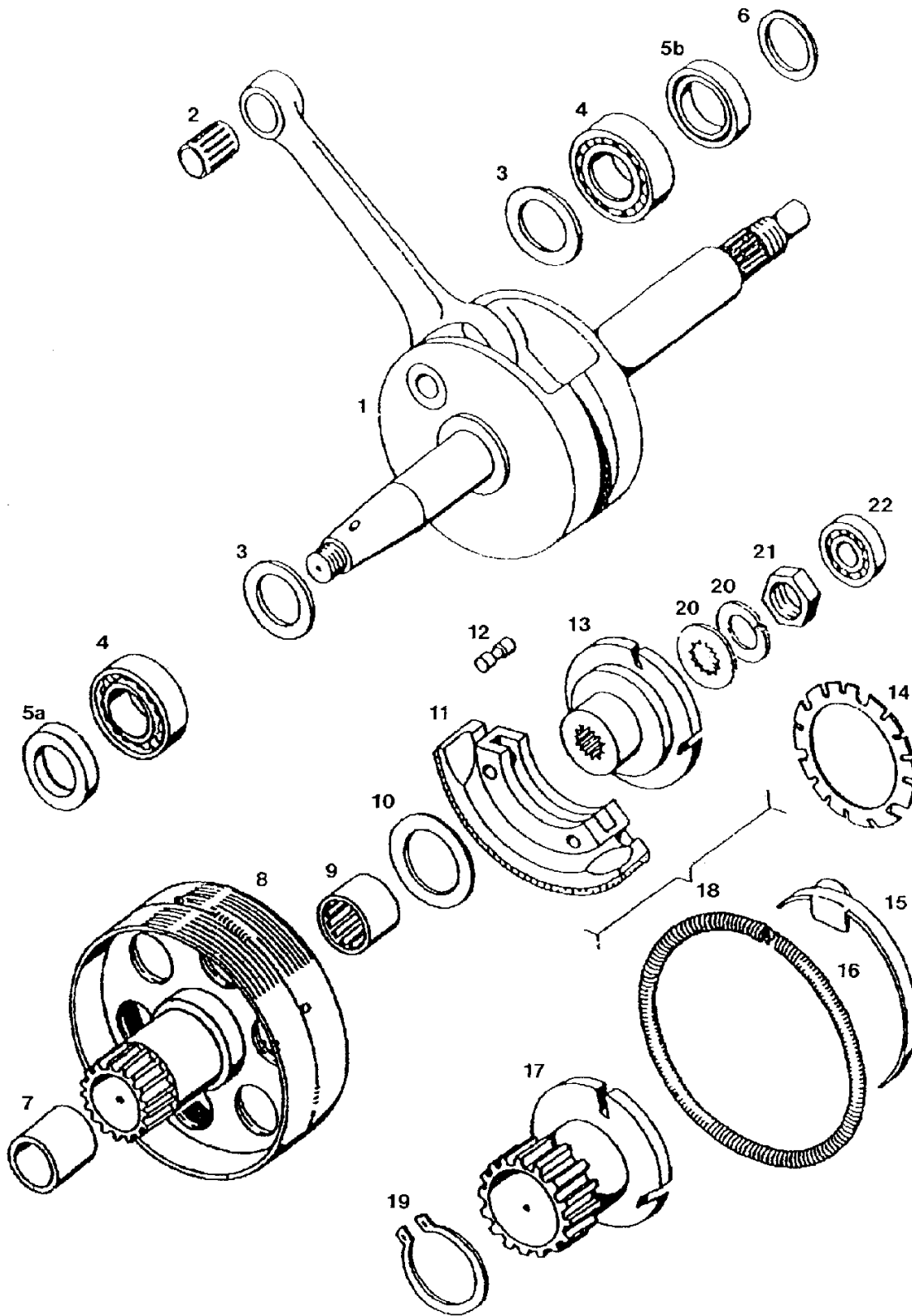
<b>Colour code</b>	<b>Typ of protection</b>	<b>Colour</b>	<b>Colour</b>	<b>Colour tone</b>	<b>RAL similar</b>
LAK	all	all	ALL		
GRU	basis	gray	gray		
KOM	all	combin.	combin.		
M71	metal	silver	silver	standard	9006
S91	normal	black	black	standard	9017
S92	normal	black	black	mat	9017
S01	normal	white	white	standard	9003
C51	CROMED	BLU	Cr	LIGHT	
Z51	ZINCED	BLU	Zn	LIGHT	

## CRANKCASE, CYLINDER, PISTON



No.	*	Part No.	Denomination	A
		237203	ENGINE 45-kick	1
1		230940	CRANKCASE-CPL (with parts 2-8,18,60,47 and bearings)	1
2		222098	CRANKCASE GASKET	1
3		223440	CENTERING BUSH 9,8X16	6
4		232971	RIGHT COVER GASKET	1
5		027264	SCREW M6X10	1
6		230172	SEAL RING A6X12	1
7		026311	SCREW M8X10	2
8		230173	SEAL RING A8X14	2
9		233718	ELASTIC PIN 8x16	1
10		230966	MAGNETO COVER BLACK	1
11		200294	OBROČ GUMIJASTI	1
12		026593	ALLEN SCREW M6X25	2
13		026636	ALLEN SCREW M6X40	1
14		026041	SCREW M8x1X90	2
15		026043	SCREW M8x1X80	2
16		031933	WASHER 8	5
17		030049	NUT M8X1-SELFLOCKING	4
18		233716	CYLINDER STUD BOLT M7/M8X115	4
19		233714	CYLINDER GASKET-0,4 mm	1
20		233711	CYLINDER WITH PISTON A56-B KPL	1
21		208201	STUD BOLT	2
22		233702	CYLINDER HEAD	1
23		044617	SPARK PLUG BR8ES, B.SUPER FE80R	1
24		236639	NUT M6-8 DIN 986 A2F-SELFLOCKING	4
25		031509	WASHER 6	4
26		233709	PISTON A56-B (with parts 27-29)	1
27		233707	PISTON RING- UPPER	1
27		233708	PISTON RING- BUTTOM	1
28		233762	WRIST PIN 12 mm	1
29		233763	SPRING CIRCLIP 12 mm	2
30		233717	CYLINDER HEAD GASKET A56-0,25	1
31		026573	ALLEN SCREW M6X25	14
32		026582	ALLEN SCREW M6X65	1
33		233721	INTAKE MAINFOLD	1
36		233715	INTAKE MAINFOLD GASKET	1
37		026690	SCREW M6X16 (ISO7380)	4
38		031932	WASHER 6	4
39		227713	SCREW M6X15	.
40		230812	BARRIER PIPE- UPPER	1
41		230968	BARRIER PIPE- BUTTOM	1
42		230811	RUBBER	1
45		230792	OIL PUMP COVER -PLASTIC	1
46		027271	SCREW M5X30	1
47		230793	CRANKCASE BUSH	1
48		230794	COVER BUSH	1
		236459	GASKET SET A56	1

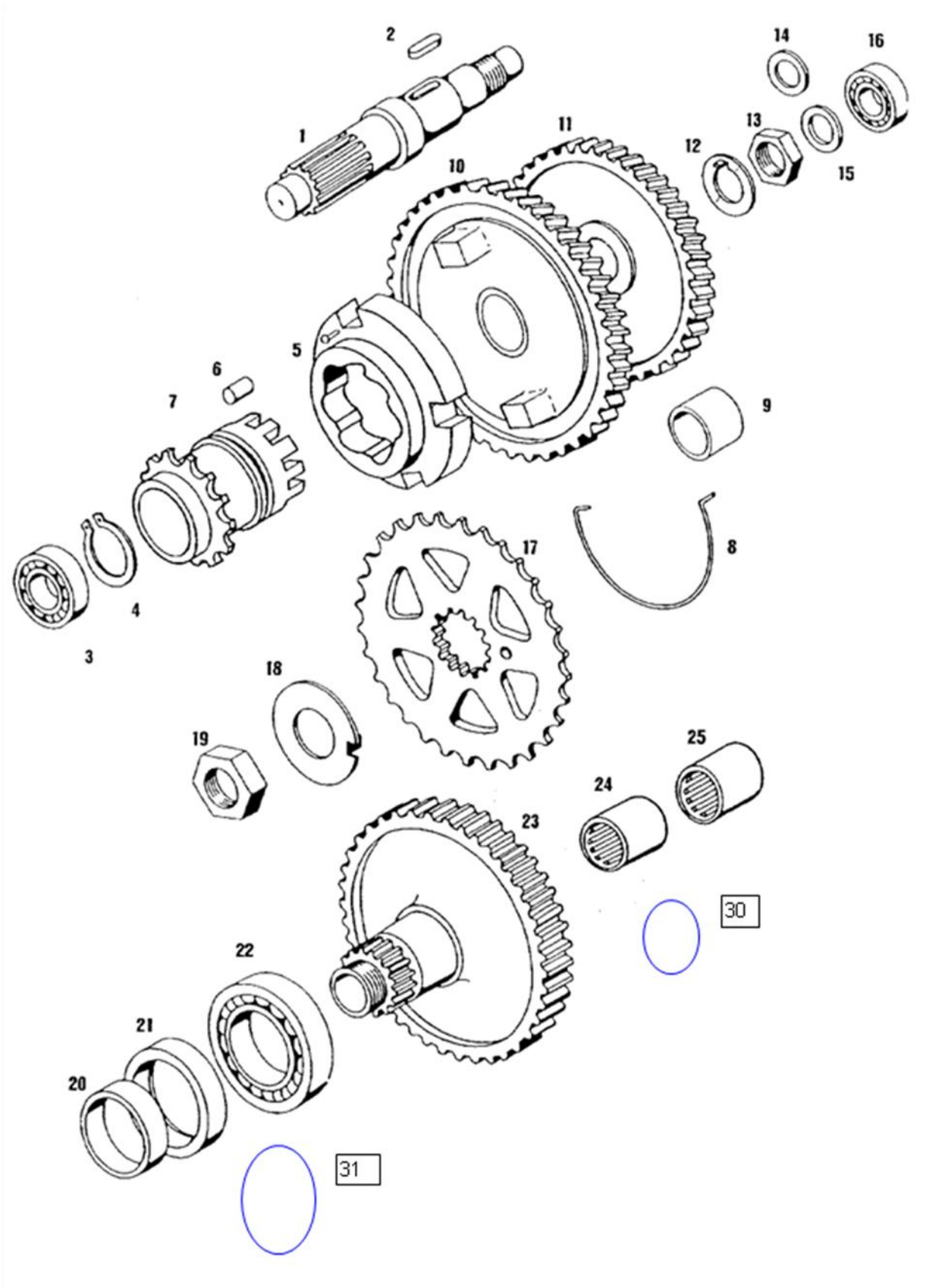
# CRANKSHAFT, CLUTCH



A26BAC YOUNGST'R 45 Spare parts manuals

No.	*	Part No.	Denomination	A
1		223421	CRANKSHAFT - A35	1
2		035548	NEEDLE BEARING 12X15X15	1
3	P	212957	SHIM 0,10MM	1
3	P	212958	SHIM 0,15MM	1
3	P	212959	SHIM 0,20MM	2
4		035070	BALL BEARING 6203 C3	2
5		036555	SEAL RING A17X35X7	1
6		223468	THRUST WASHER 14X20X2	1
7		223470	BEARING BUSH	1
8		223423	GEAR WITH DRUM CPL. - A35	1
9		035554	ROLLER CLUTCH	1
10		209073	SHIM 0,30MM	1
10	P	209119	SHIM 0,50MM	1
11	1	223432	CLUTCH SEGMENT 1ST. GEAR	3
11	2	223562	CLUTCH SEGMENT 2ND. GEAR	3
12		223434	CLUTCH PIN	6
13		223429	CLUTCH HUB 1ST. GEAR	1
14		209002	SPRING PLATE	1
15		209039	BRAKE STRIP	6
16	1	209013	CLUTCH SPRING	1
16	2	223769	CLUTCH SPRING	1
17		223435	DRIVE GEAR (2.ND GEAR)	1
18		223436	CLUTCH CPL. 2.ND GEAR (REV	1
18		227849	CLUTCH CPL. 1ST. GEAR (REV	1
19		032083	CIRCLIP	1
20	Z	031848	SPRING RING B10	1
20		031978	THRUST WASHER B10	1
21		215487	NUT M10X1	1
22		035202	BALL BEARING 608	1
		227459	CONNECTING ROD CPL. (12MM)	.

## COUNTERSHAFT, MAINSHAFT

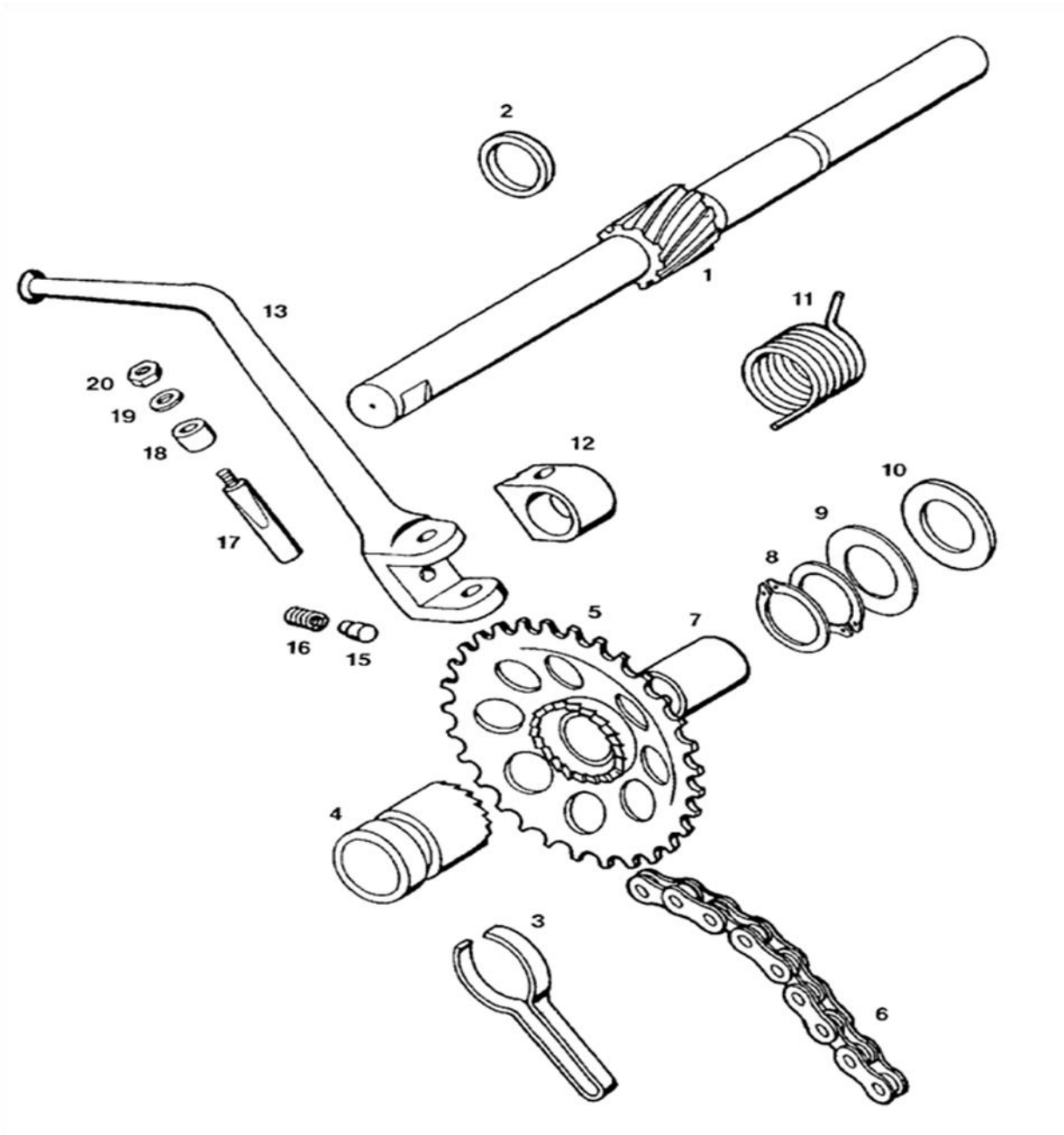




A26BAC YOUNGST'R 45 Spare parts manuals

No.	*	Part No.	Denomination	A
1		<b>223421</b>	CRANKSHAFT - A35	1
2		035548	NEEDLE BEARING 12X15X15	1
3	P	212957	SHIM 0,10MM	1
3	P	212958	SHIM 0,15MM	1
3	P	212959	SHIM 0,20MM	2
4		035070	BALL BEARING 6203 C3	2
5		036555	SEAL RING A17X35X7	1
6		223468	THRUST WASHER 14X20X2	1
7		223470	BEARING BUSH	1
8		<b>223423</b>	GEAR WITH DRUM CPL. - A35	1
9		035554	ROLLER CLUTCH	1
10		209073	SHIM 0,30MM	1
10	P	209119	SHIM 0,50MM	1
11	1	223432	CLUTCH SEGMENT 1ST. GEAR	3
11	2	223562	CLUTCH SEGMENT 2ND. GEAR	3
12		223434	CLUTCH PIN	6
13		223429	CLUTCH HUB 1ST. GEAR	1
14		209002	SPRING PLATE	1
15		209039	BRAKE STRIP	6
16	1	209013	CLUTCH SPRING	1
16	2	223769	CLUTCH SPRING	1
17		223435	DRIVE GEAR (2.ND GEAR)	1
18		<b>223436</b>	CLUTCH CPL. 2.ND GEAR (REV	1
18		<b>227849</b>	CLUTCH CPL. 1ST. GEAR (REV	1
19		032083	CIRCLIP	1
20	Z	031848	SPRING RING B10	1
20		031978	THRUST WASHER B10	1
21		215487	NUT M10X1	1
22		035202	BALL BEARING 608	1
		227459	CONNECTING ROD CPL. (12MM)	.

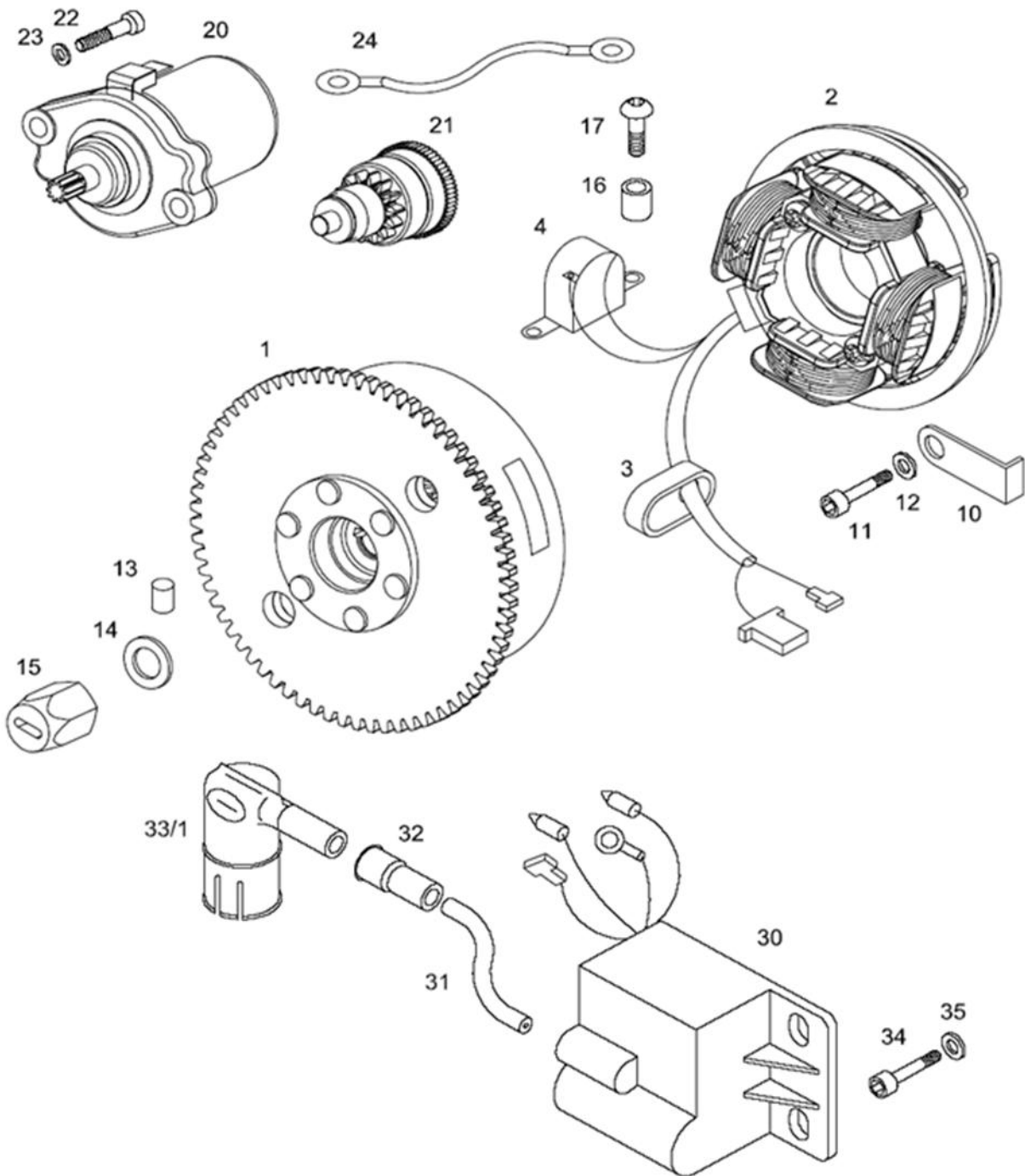
## STRARTER MECHANISM



A26BAC YOUNGST'R 45 Spare parts manuals

No.	*	Part No.	Denomination	A
1		223447	STARTER SHAFT	1
2		205702	THRUST WASHER	1
3		209048	BRAKE SPRING	1
4		209047	CLAW COLLAR	1
5		217584	CHAIN SPROCKET Z=25	1
6		217582	CHAIN (32 ROLLERS)	1
7		223448	DISTANCE BUSH	1
8		032073	STARTERSHAFT RING 16	2
9		206391	SHIM 0,50MM	1
10	P	209087	SHIM 0,02MM	3
10	P	200175	SHIM 0,50MM	1
		237189	KICK START LEVER CPL. (with parts 11 to 20)	1
11		223473	KICK START RETURN SPRING	1
12		221406	HUB	1
13		221405	KICK START LEVER	1
15		260216	THRUST BOLT	1
16		260217	KICKSTART SPRING	1
17		202726	KICKSTART PIN	1
18		202723	DISTANCE BUSH	1
19		202727	WASHER 7,4X14X2	1
20		031076	NUT M7	1

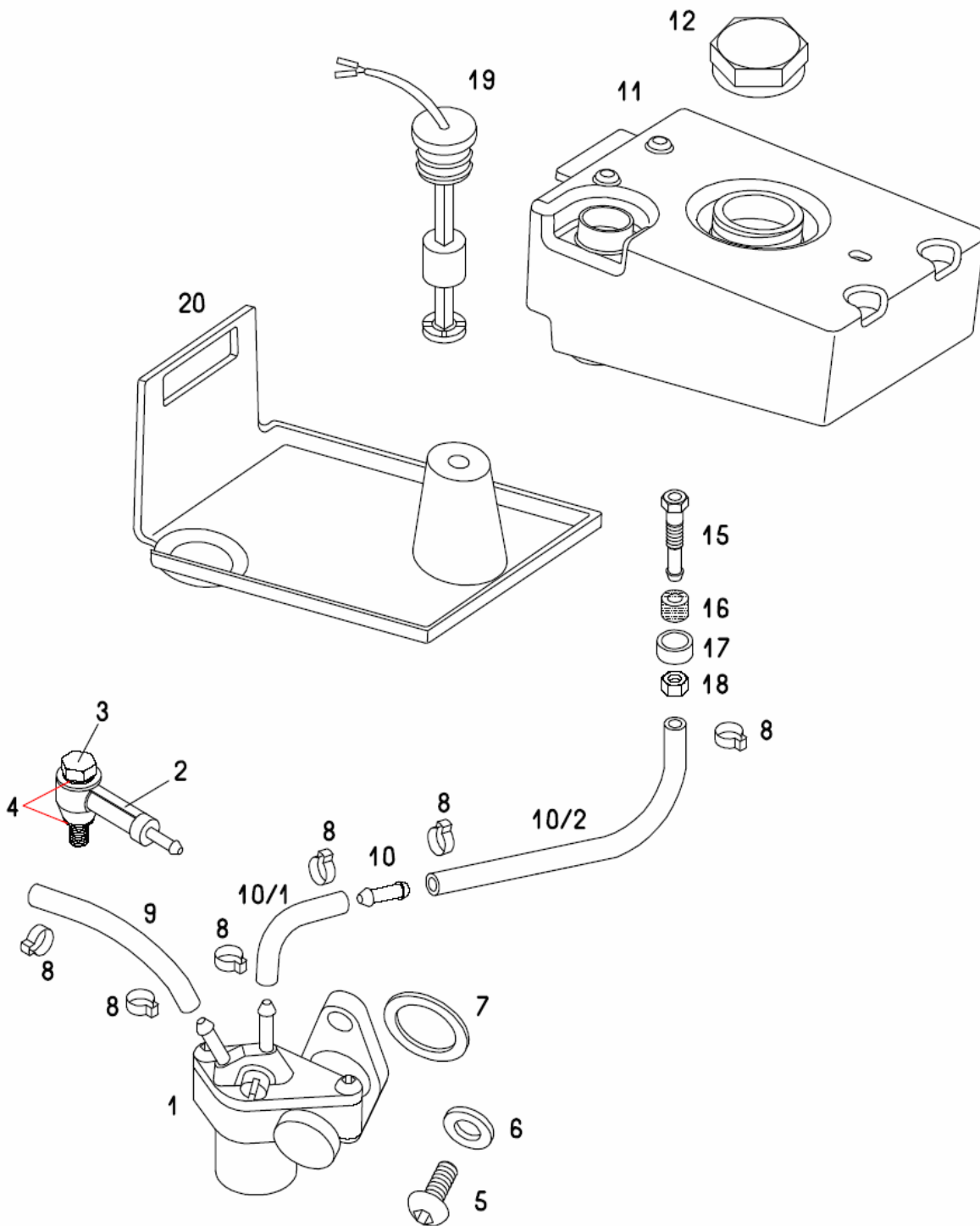
## MAGNETO ASSEMBLY, ELECTRIC STARTER



A26BAC YOUNGST'R 45 Spare parts manuals

No.	*	Part No.	Denomination	A
		<b>233720</b>	MAGNETO ASSEMBLY CPL. (with parts 1- 4)	1
1		243101	FLYWHEEL	1
2		243100	BASE PLATE CPL.	1
3		224196	RUBBER INSERT PIECE	1
4		243102	PICK UP	1
10		230916	CLIP	1
11		026657	ALLEN SCREW M5x15	2
		291346	LOCTITE 243	.
12		031508	WASHER M5	2
13		200048	ROLLER D3x4	1
14		229918	WASHER d10,4 D 17,5 s 1,2	1
15		230813	OIL PUMP NUT M10x1	1
16		233719	DISTANCE TUBE	2
17		236389	SCREW FOR PICK UP	2
20		237133	ELECTRICAL STARTER 12v 170w	1
21		237134	STARTER GEAR	1
22		026707	SCREW M6x20	2
23		031845	WASHER M6	2
24		232967	GROUND WIRE	1
30		233729	ELECTRONIC	1
31		044528	SPARK PLUG CABLE (430mm)	m
32		210175	RUBBER PROTECTOR	1
33		206116	SPARK PLUG CAP	1
34		026701	SCREW M5x12 (ISO 7380)	2
35		031508	WASHER M5	2

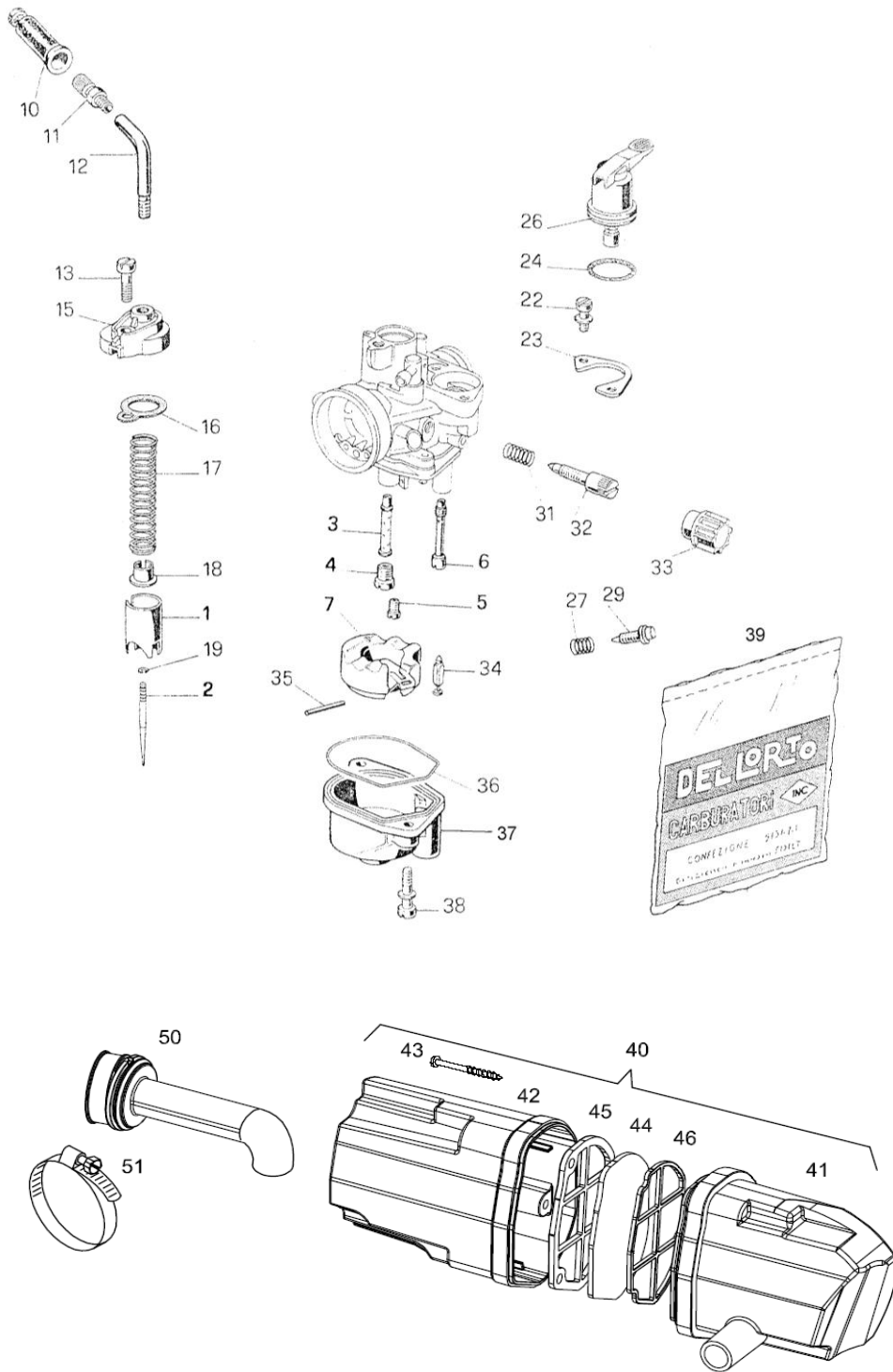
## OIL PUMP, OIL TANK



A26BAC YOUNGST'R 45 Spare parts manuals

No.	*	Part No.	Denomination	A
1		217310	OIL PUMP CPL. (with parts 2,3,4)	1
2		217311	BANJO	1
3		217312	BANJO BOLT	1
4		044581	SEALING WEASHER 6X12	2
5		026697	SCREW M5X16 (ISO 7380)	2
6		031867	WASHER B5	2
7	P	227393	SHIM 0,50mm	1
8		217313	FERRULE	4
9		044472	OIL LINE (320 mm)	m
10	1	044472	OIL LINE ( <b>250</b> mm)	m
10	2	044472	OIL LINE ( <b>530</b> mm)	m
10	3	233116	CONNETCING CLAMP	1
11		236404	OIL TANK	1
12		236413	OIL TANK CAP	1
15		217319	BANJO	1
16		227499	TRUBBER WASHER	1
17		227498	WASHER CUP	1
18		031075	NUT M6	1
19		236414	OIL LEVEL SENZOR	1
20		236711	OIL TANK PROTECTOR	1

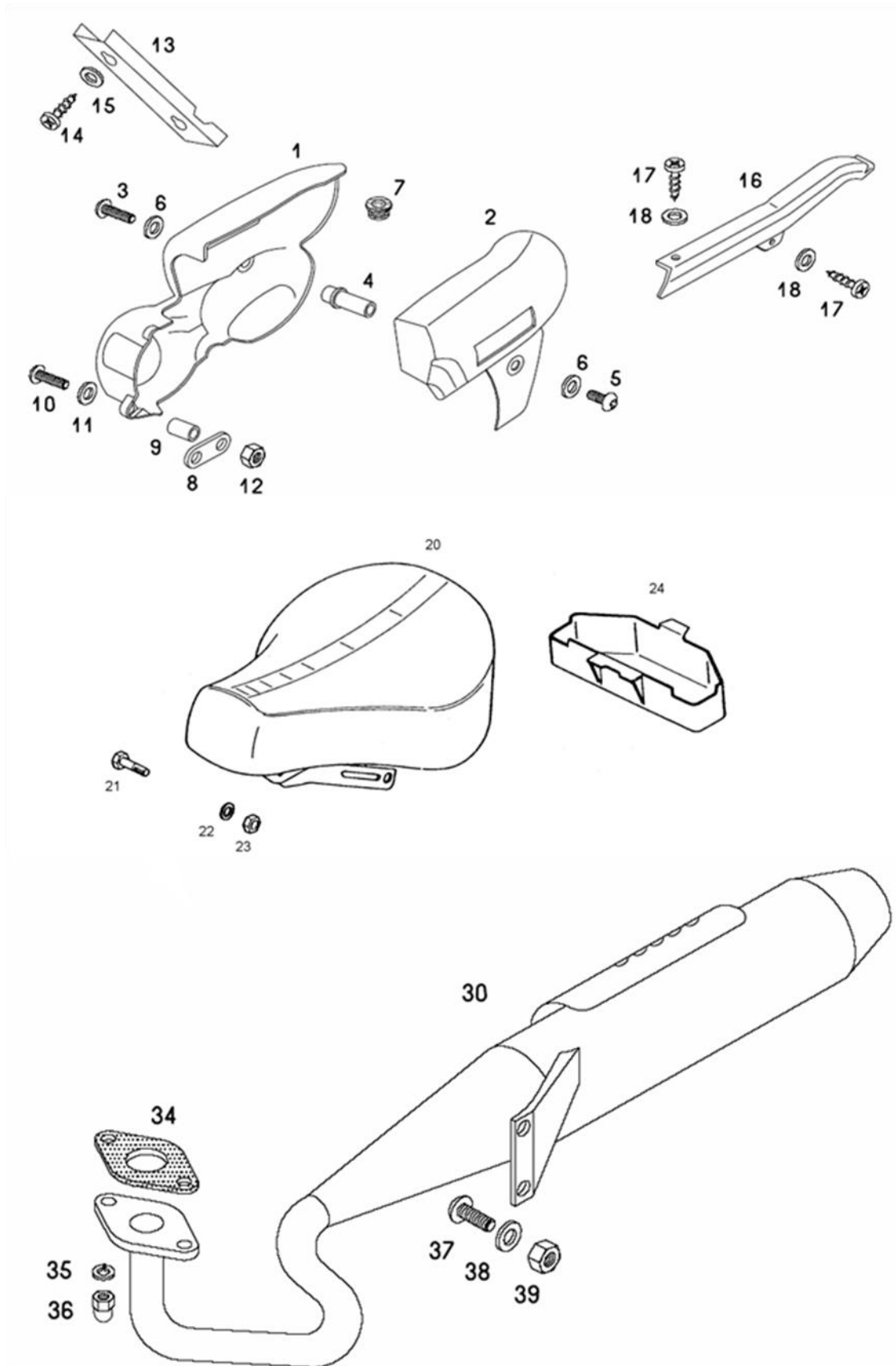
# CARBURATOR, INTAKE SILENCER





No.	*	Part No.	Denomination	A
		233730	CARBURATOR DELL'ORTO PHVA 14 (with parts 1-38)	1
1		243103	THROTTLE VALVE 40	1
2		243104	NEEDLE A07	1
3		243106	JET 209 GA	1
4		243160	MAIN JET 55	1
5		243222	FLOAT VALVE 25	1
6		243162	CHOKE LEVER 40	1
7		243149	FLOAT CPL (with parts 7,34,35)	1
12		243152	CABLE GUIDE TUBE CPL (with parts 10,11,12,13,15,16)	1
17		243120	THROTTLE VALVE SPRING	1
18		243121	NEEDLE HOLDER	1
19		243122	FLOAT CHAMBER	1
26		243151	CHOKE MECHANISM CPL (with parts 22,23,24,26)	1
29		243147	AIR CONTROL SCREW CPL (with parts 29,27)	1
32		243148	ADJUSTING SCREW CPL (with parts 31,32,33)	1
37		243150	FLOAT CHAMBER CPL (with parts 36,37)	1
38		243134	FLOAT CHAMBER SCREW	2
39		236460	GASKET SET	1
40		233740	INTAKE SILENCER (with parts 41-46)	1
41		233744	REAR SILENCER COVER	1
42		233743	FRONT SILENCER COVER	1
43		233747	SCREW ST 4,8X60	3
44		233741	AIR FILTER	1
45		233745	FRONT FILTER SUPPORT	1
46		233746	REAR FILTER SUPPORT	1
50		233748	INTAKE PIPE	1
51		221584	CLAMP 32-50	2

## EXHAUST, SEAT, COVERS

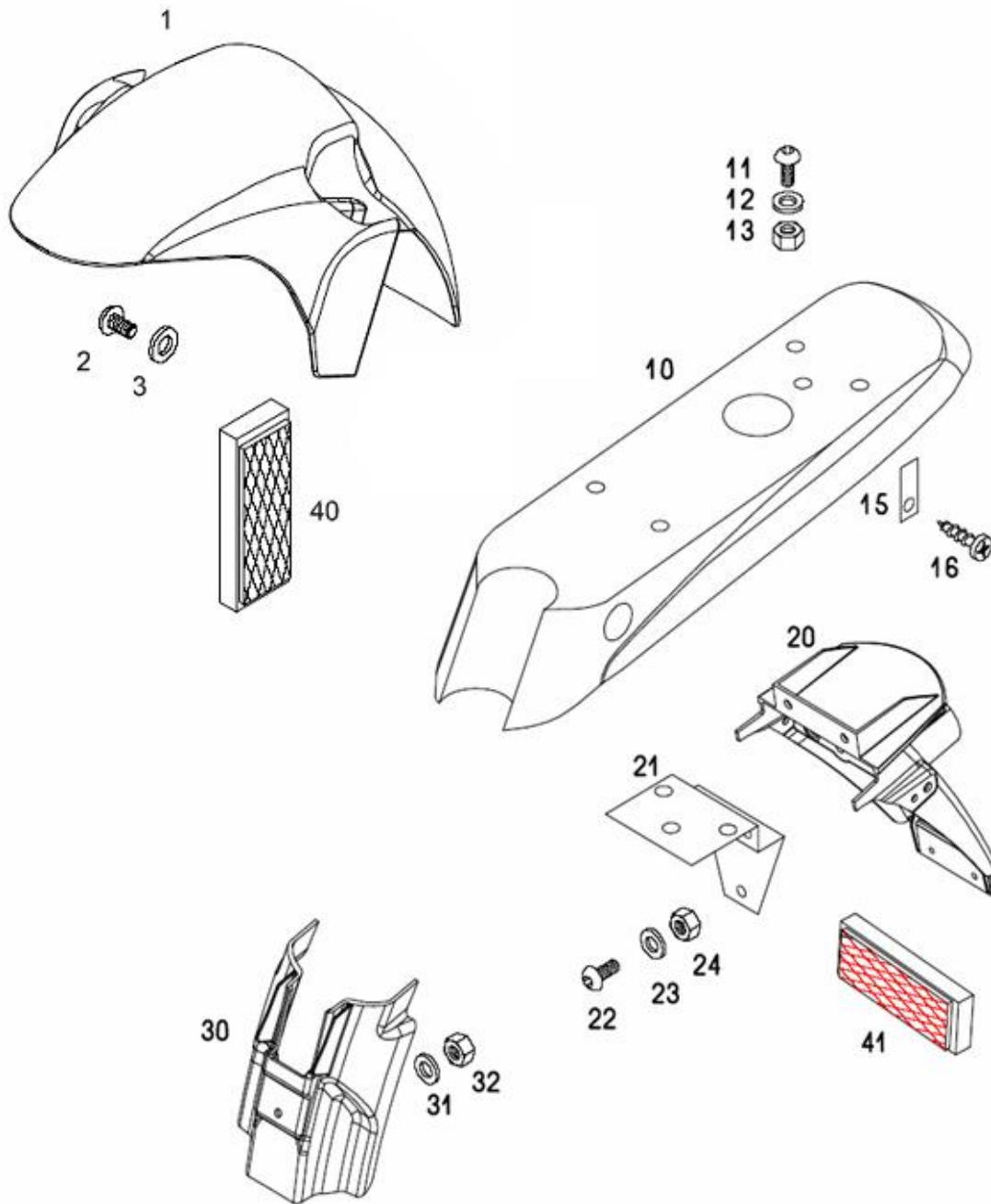


No.	*	Part No.	Denomination	A
1	L	242083LAK	RNNING BOARD PAINTED RH	1
2	L	242084LAK	RUNNING BOARD PAINTED LH	1
3		026696	SCREW M6X50 (ISO 7380)	1
4		232949	DISTANCE TUBE	1
5		026689	SCREW M6X14 (ISO 7380)	1
6		031925	WASHER 6	2
7		229728	RUBBER INSERT PIECE	4
8		230853	RH SIDE COVER SUPPORT	1
9		208326	DISTANCE TUBE (L=10,5MM)	1
10		026692	SCREW M6X25 (ISO 7380)	1
11		031932	WASHER 6	1
12		030040	NUT M6-SELFLOCKING	1
13		242313	CONTROL CABLE COVER PAINTE	1
14		044438	SHEET SCREW 4,2X19	2
15		031930	WASHER 4	2
16		229779	CHAIN GUARD (BLACK)	1
17		044422	SHEET SCREW 4,8X13	2
18		031922	WASHER 5	2
20		232554	SEAT (with part 24)	1
21		033534	SCREW M8X55(ISO 6921)	2
22		031933	WASHER 8	2
23		031077	MATICA M8	2
24		232555	BAG	1
30		233724	EXHAUST SILENCER	1
34		227149	EXHAUST GASKET	1
35		031845	SPRING RING B6	2
36		030020	SCREW M5X30	2
37		026704	SCREW M8X20 (ISO 7380)	2
38		031510	WASHER 8	4
39		030041	NUT M8-SELFLOCKING	2
		026705	SCREW	2
		031509	WASHER 6	2
		242153S91	EXHAUST SHIELD	1

## DECALS

No.	*	Part No.	Denomination	A
		236349	DECAL YOUNGST'R CPL.	1
		222839	DECAL RES'ON'OFF	1

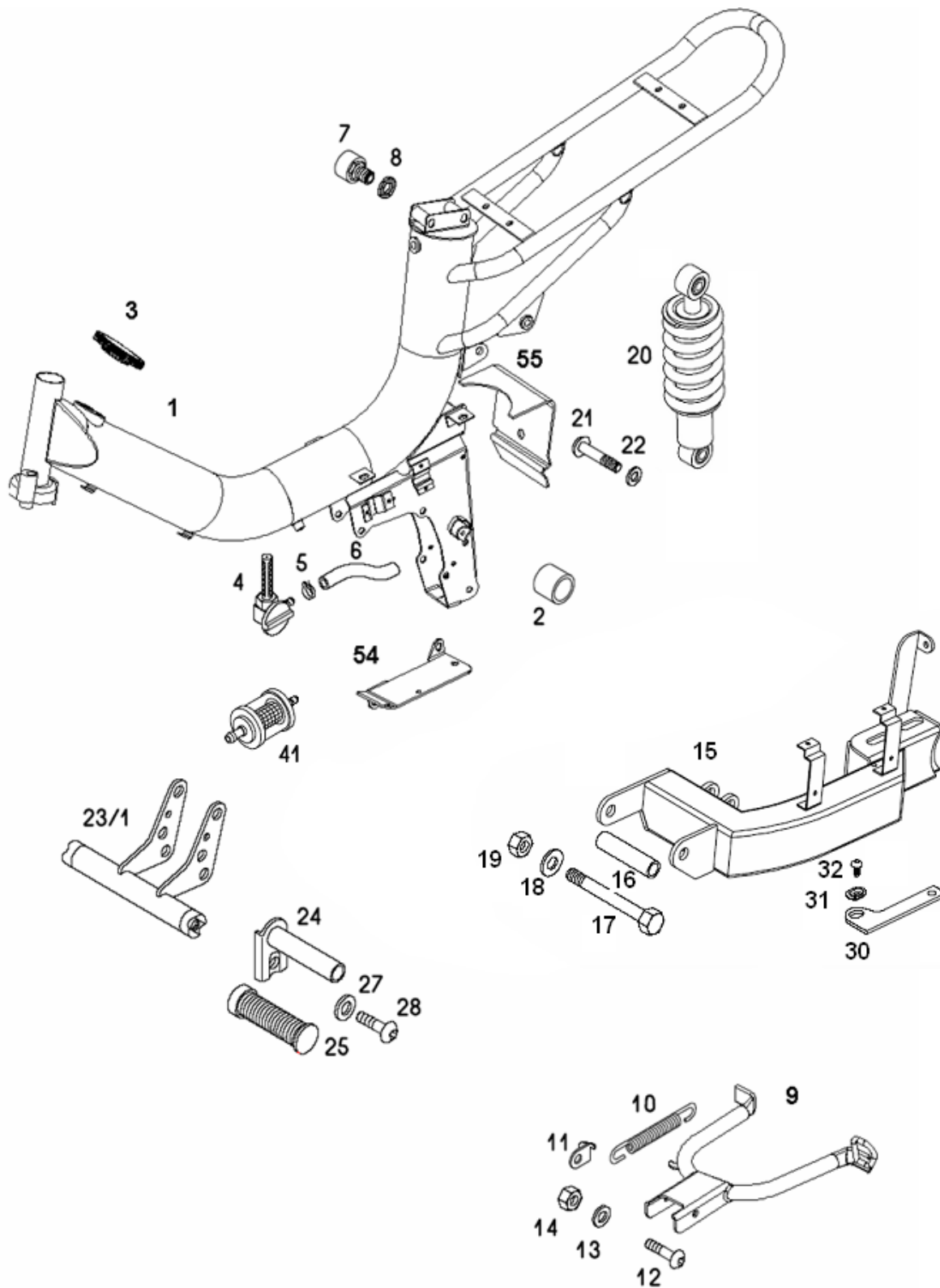
## MUDGUARDS



A26BAC YOUNGST'R 45 Spare parts manuals

No.	*	Part No.	Denomination	A
1	L	242280LAK	FRONT MUDGUARD	1
2		033511	SCREW M6X12 (ISO 7380)	4
3		031509	WASHER 6	4
10	L	242189LAK	REAR MUDGUARD-FRAME	1
11		026706	SCREW M6X12 (ISO7380)	5
12		031509	WASHER A6,4	5
13		030040	NUT M6 SELFLOCKING	5
15		236393	CABLE HOLDER	2
16		232807	SCREW PT KA30X10	2
20		236316	REAR MUDGUARD	1
21		236319	REAR MUDGUARD HOLDER	1
22		026704	SCREW M8X20 (ISO7380)	3
23		031926	WASHER 8,4	6
24		030041	NUT M8 SELFLOCKING	3
30		236317	MIDLE MUDGUARD	1
31		031509	WASHER A6,4	1
32		030040	NUT M6 SELFLOCKING	1
41		233122	RECLECTOR RED WITH PROTECTIVE RING	1
45		234656	MUD FLAP	1
47		234664	PLASTIC SCREW	2

# FRAME, REAR FORK, CENTRAL STAND

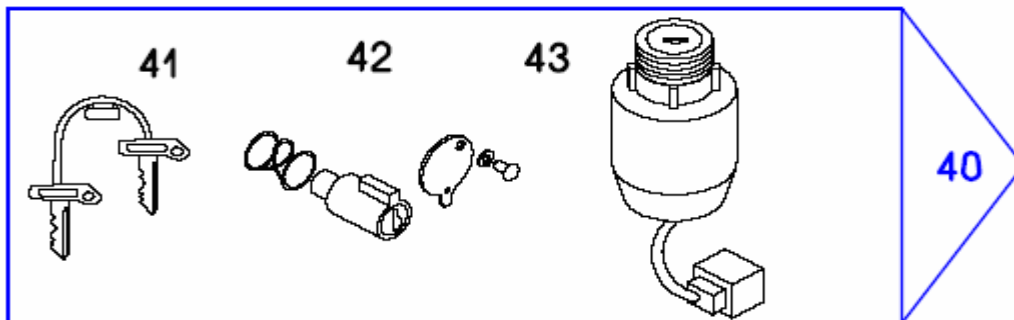
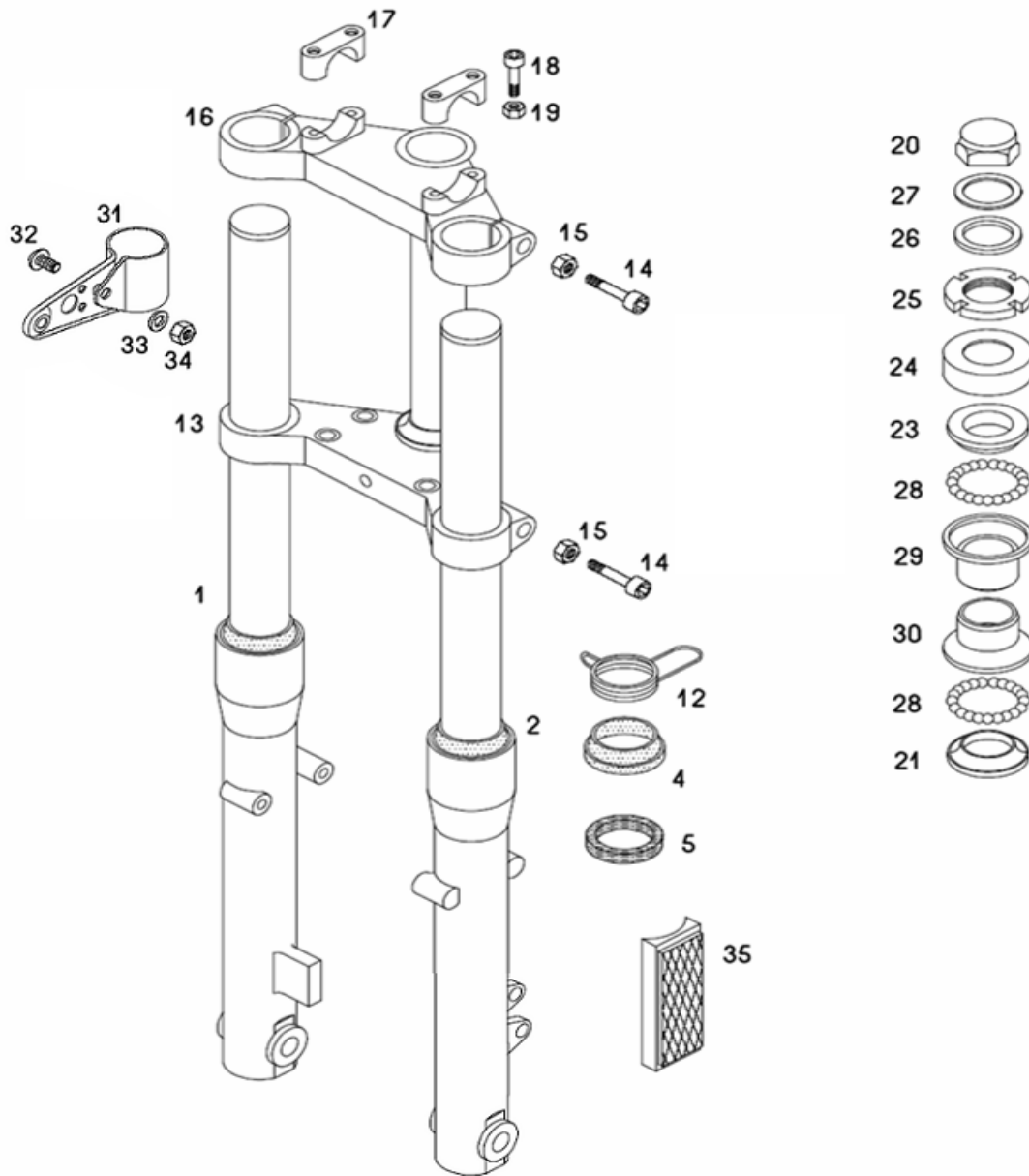


A26BAC YOUNGST'R 45 Spare parts manuals

No.	*	Part No.	Denomination	A
1	L	242319	FRAME	1
2		209141	BEARING BUSH	2
3		213953	FUEL TANK CAP	1
4		233727	FUEL FEED TAP	1
5		044531	FUEL TUBE 0,1m	m
6		224056	SPRING CLAMP 8	2
7		232549	RELEASE VALVE	1
8		232553	SEALING WASHER	1
9	L	242160S91	CENTRAL STAND	1
10		200609	SPRING	1
11		209143	SPRING SUPPORT	1
12		026041	SCREW M8x1X70	1
13		031933	WASHER 8	1
14		030049	NUT M8x1 SELFLOCKING	1
15	L	242158LAK	REAR FORK	1
16		209144	DISTANCE BUSH	1
17		026083	SCREW M12x1,25X120	1
18		031935	WASHER 13-140HV	1
19		030051	NUT M12x1,25 SELFLOCKING	1
20		236318	SHOCK ABSORBER-RED	1
21		033545	SCREW M10X35 (ISO 7380)	2
22		030042	NUT M10 SELFLOCKING	2
23	L	242198S91	BRACKET SUPPORT	1
24	1	217174	FOOT SUPPORT CPL (with parts 24, 25)	2
24	L	206109	FOOT SUPPORT	2
25		202881	FOOT SUPPORT RUBBER	2
26		026698	SCREW M10X25 (ISO 7380)	2
27		031848	WASHER B10	2
30		236315	CHAIN GUIDE	1
31		233582	CHAIN GUIDE HOLDER	1
32		026700	SCREW M5X10 (ISO7380)	1
41		236608	FUEL FILTER	1
54		237224	RELAY PROTECTOR	1
55		237214	MUD PROTECTOR	1



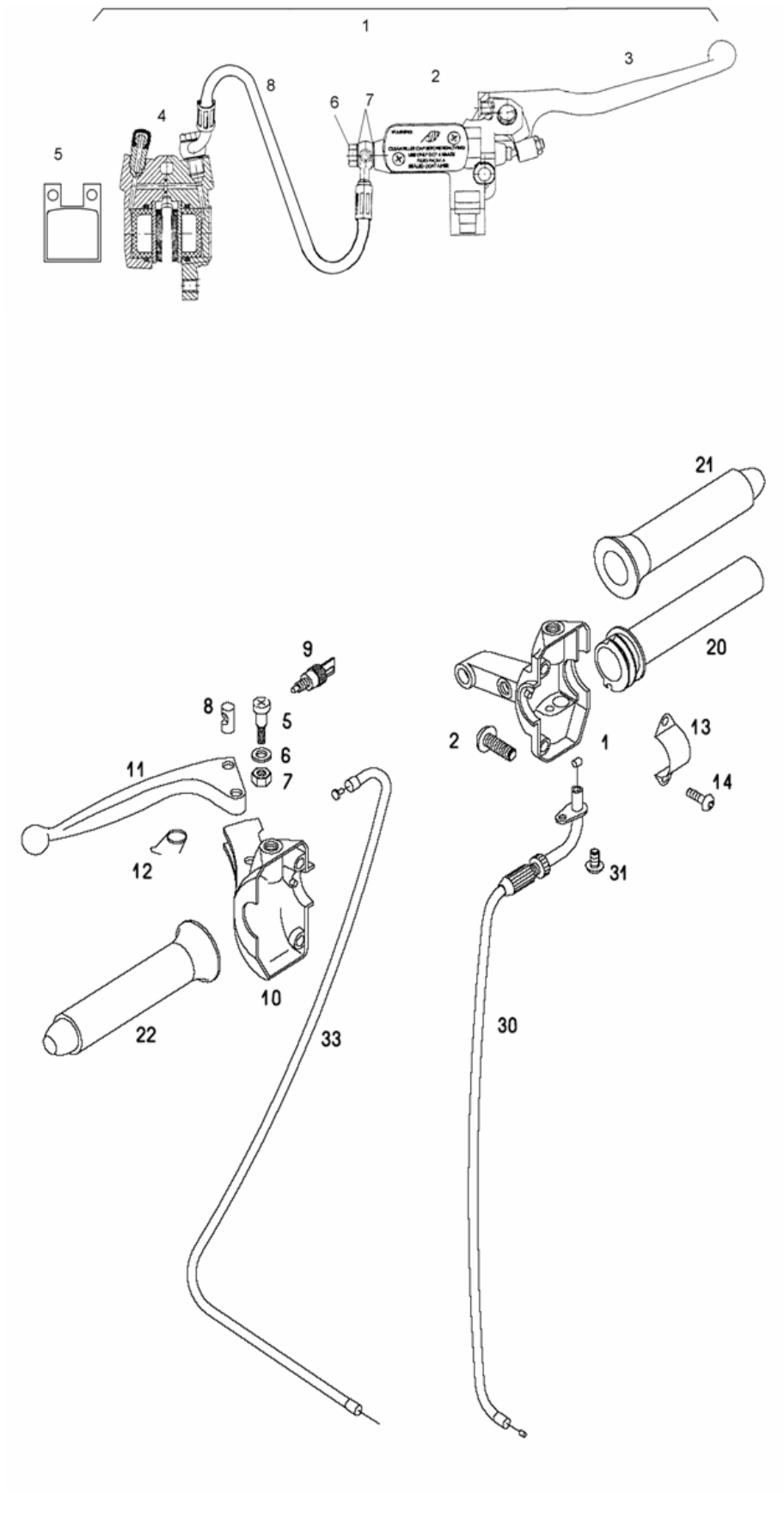
# FRONT FORK



A26BAC YOUNGST'R 45 Spare parts manuals

No.	*	Part No.	Denomination	A
-		236951	FRONT FORK CPL. grund (with parts 1 to 21 and 27)	1
1	L	243184	RH FRONT FORK SILVER	1
2	L	243185	LH FRONT FORK SILVER	1
4		243179	SEAL RING	2
5		243195	OIL SEAL RING	2
12		232968	CABLE GUIDE	2
13	G	243197	FORK LUG grund	1
14		026683	SCREW M8X45	4
15		031077	NUT M8	4
16	G	243196	UPPER YOKE GRUND	1
17	G	243198	HANDLEBAR CARRIER grund	2
18		026646	SCREW M6X45	4
19		031075	NUT M6	4
20		219349	CROWN NUT	1
-		230741	BEARING SET (with parts 21-30)	1
21		200714	STEERING BEARING CONE	1
23		200714	STEERING BEARING CONE	1
24		200715	COVER (BRIGHT)	1
25		200717	GROOVED NUT	1
26	P	222848	WASHER (S= 2MM)	1
27		206701	WASHER (S= 0,7MM)	1
28		044535	BALL BEARING 5	42
29		223155	STEERING BEARING CUP (TOP)	1
30		223157	STEERING BEARING CUP (BOTTOM)	1
31	L	242194LAK	LAMP HOLDER	2
32		033514	SCREW M6X25	2
33		031509	WASHER A6,4	2
34		033591	NUT M6	2
35		227121	FRONT SIDE REFLECTOR	2
40		236470	SET OF LOCKS (with parts 41-43)	1
41		232891	KEY (must to notify number)	1
42		233198	FRONT FORKS LOCK (with part 41)	1
43		232896	IGNITION LOCK (with part 41)	1

## **GRIPS, CABLES**

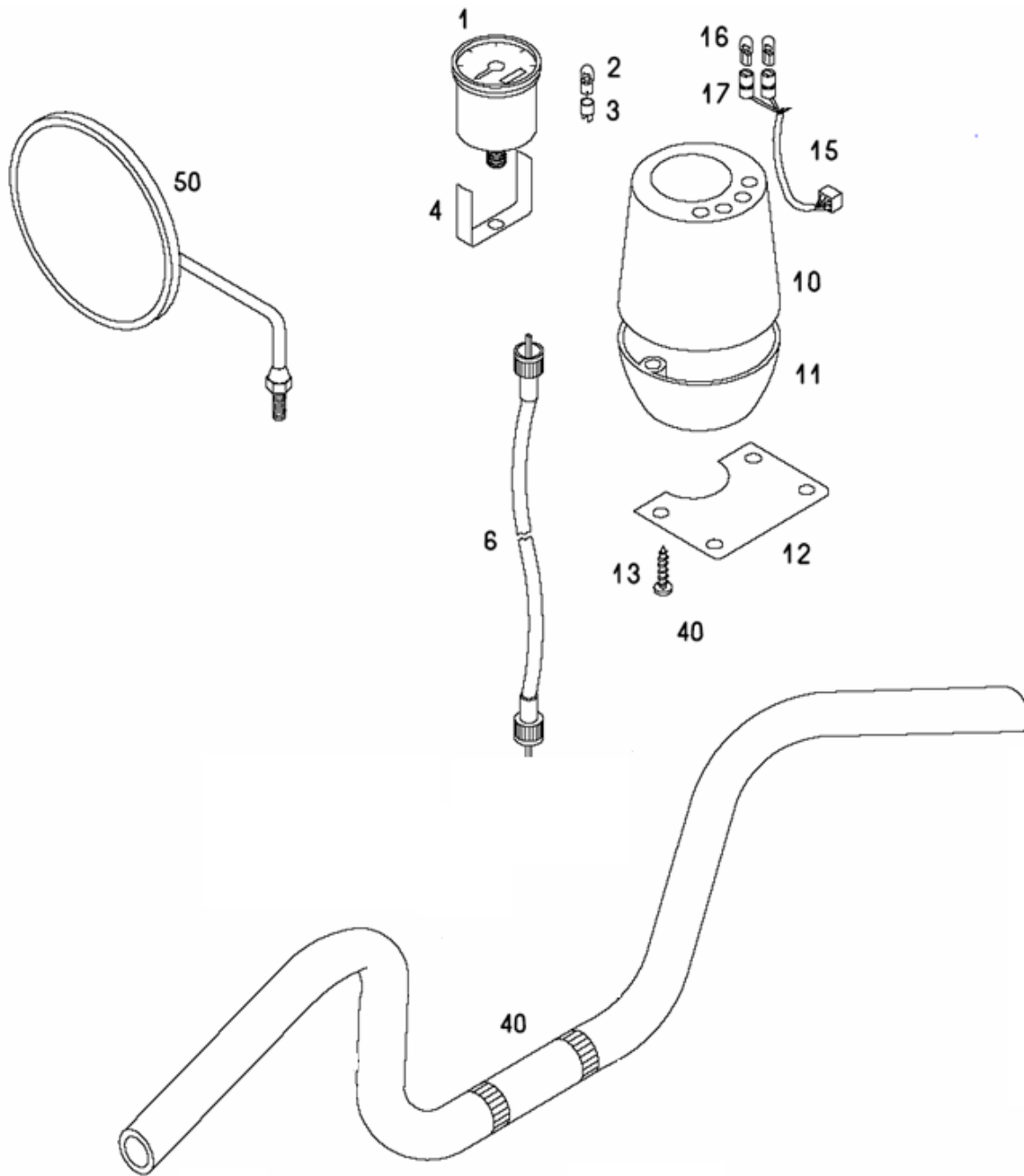


No.	*	Part No.	Denomination	A
1		236479	HYDRAULIC BRAKE CPL. (with parts 2 to 7)	1
3		243602	BRAKE LEVER RH	1

## A26BAC YOUNGST'R 45 Spare parts manuals

4	243137	CALIPER (with part 5)	1
5	243604	BRAKE PAD	2
6	243603	SCREW	2
7	243605	SEAL RING	4
8	243606	LINE	1
	236382	BRAKE BUSH	2
	025234	SCREW M8X35	1
	236382	BRAKE BUSH	2
	025397	SCREW M8X60	1
	236989	LEVER CPL	
10	243242	HOUSING	1
11	243244	BRAKE LEVER	1
12	243245	SPRING	1
13	243247	HOUSING HOLDER	2
14	026700	SCREW M5X10	4
20	243246	LEVER GRIP	1
30	233728	THROTTLE CABLE	1
31	026700	SCREW M5X10	1
33	232758	BRAKE CABLE REAR	1
	241099	GRIP CPL	1

## HANDELBAR, SPEEDOMETER, MIRROR

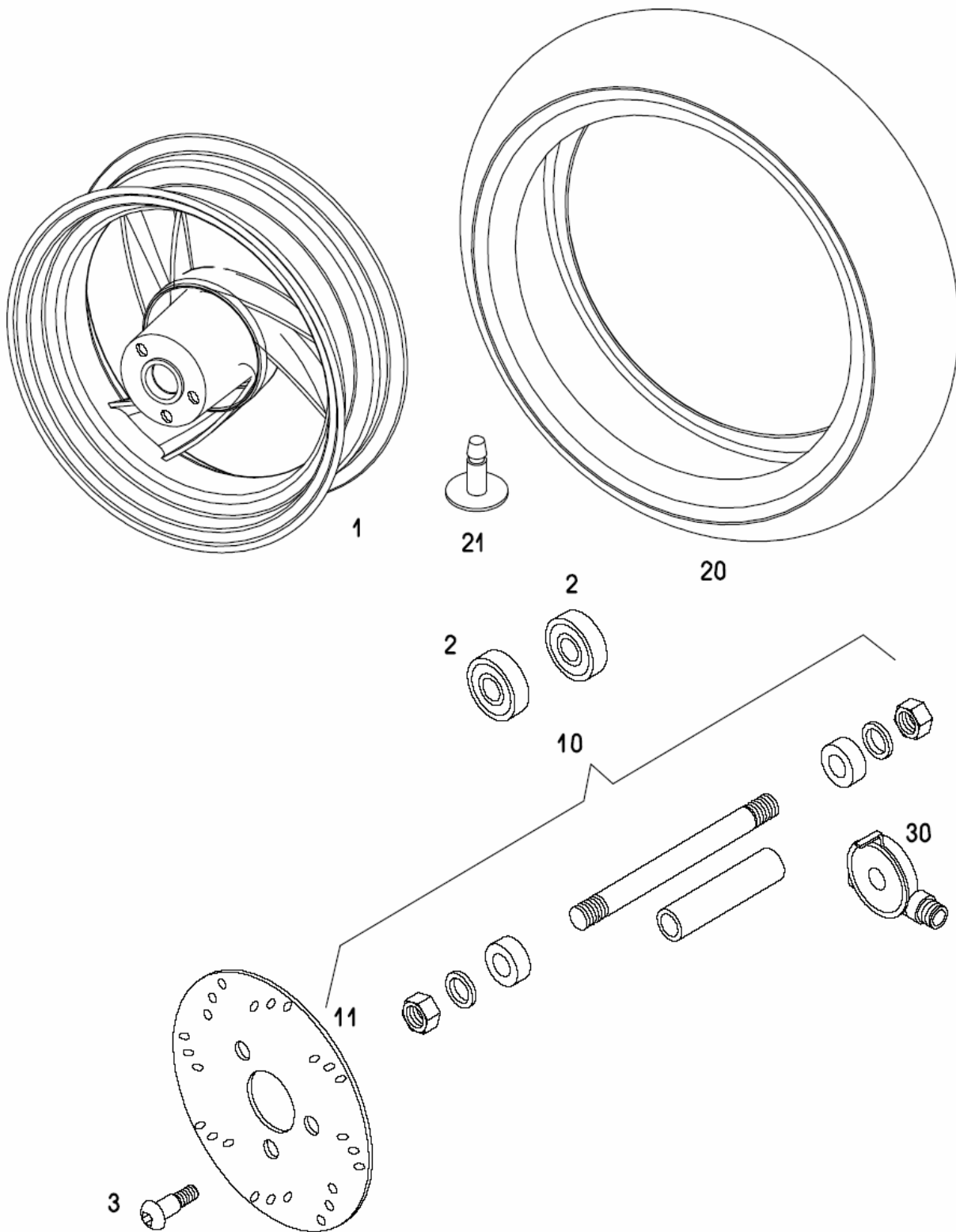


*	Part No.	Denomination	A
1	234355	SPEEDOMETER- km/h (with parts 2-3)	1
2	213993	BULB 12V 2W BA7S	1

## A26BAC YOUNGST'R 45 Spare parts manuals

3		234389	BULB HOLDER	1
4		234357	SPEEDOMETER HOLDER	1
6		217664	SPEEDOMETER CABLE OS L=780 mm	1
10	C	242098C51	SPEEDOMETER HOUSING	1
11	C	242081C51	SPEEDOMETER HOUSING BOTTOM	1
12	C	242082C51	SPEEDOMETER HOUSING HOLDER	1
13		232799	SCREW*PT*KA50X25	2
15		236729	SPEEDOMETER WIRING (with parts 16 and 17)	1
16		232763	BULB 12V 1,2W -W2x4,6d	2
17		227497	BULB HOLDER	2
40	C	242042C51	HANDLEBAR	1
50		236968	LH MIRROR-CHROME	1

## FRONT WHEEL



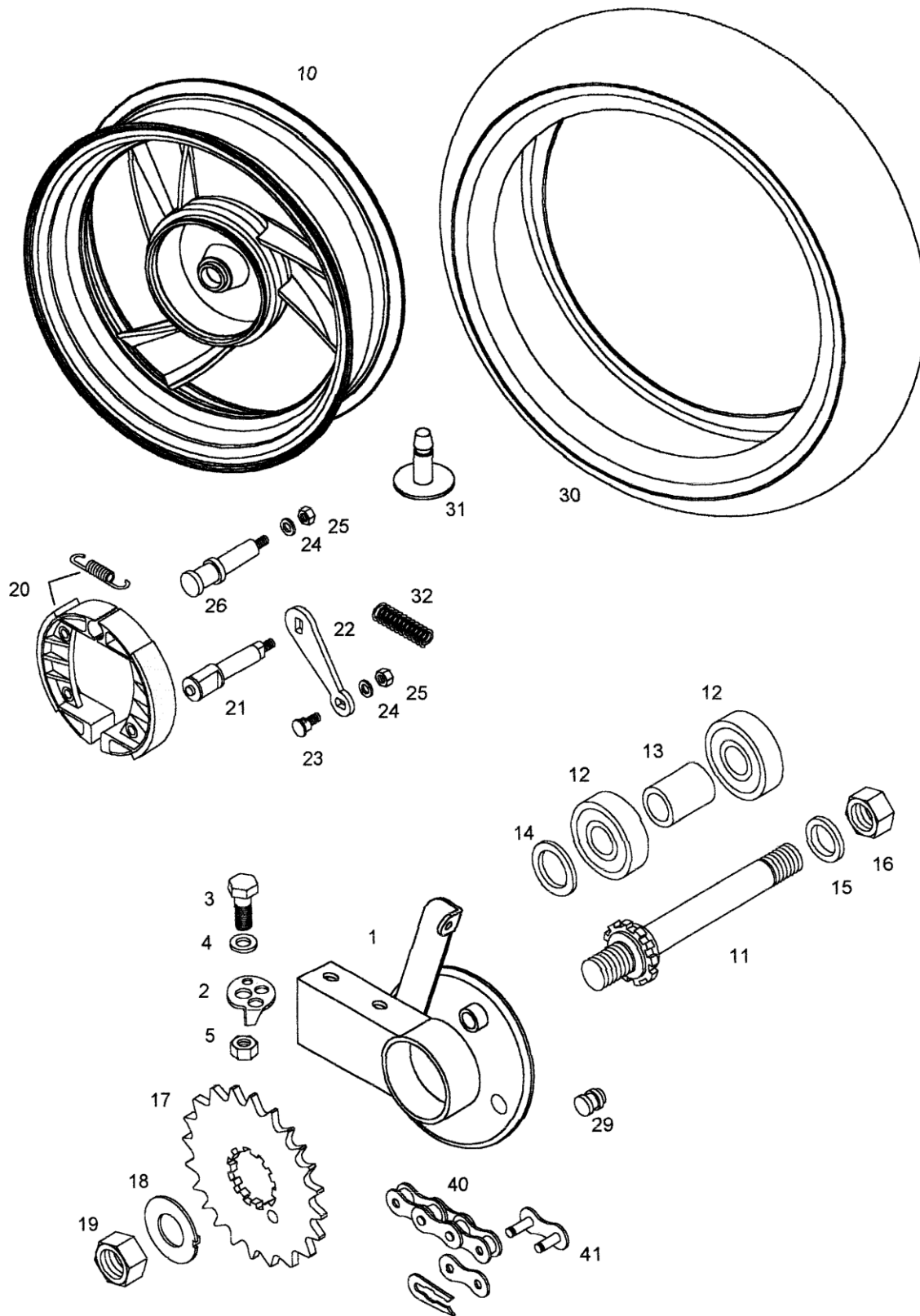
No.	*	Part No.	Denomination	A
1		242260LAK	FRONT WHEEL	1
2		044225	BEARING 12X32X10(6201-2Z)	2



## A26BAC YOUNGST'R 45 Spare parts manuals

3	236424	SCREW FOR DISC 'YA	3
10	236736	WHEEL SET ( with parts 2, 11 in 21)	1
11	236425	BRAKE DISC 190	1
12	236429	FRONT WHEEL AXLE M12X1	1
13	236427	DISTANCE TUBE'D18/12L75,7	1
14	236428	DISTANCE TUBE'D24/12L19,4	1
15	243183	DISTANCE BUSH 18x13x75,7	1
20	236326	TYRE'120/70-12 TUBELESS	1
21	236327	VALVE TUBELESS (2 pcs in set 236736)	1
30	236328	SPEEDOMETER DRIVE'YA-12	1

## REAR WHEEL

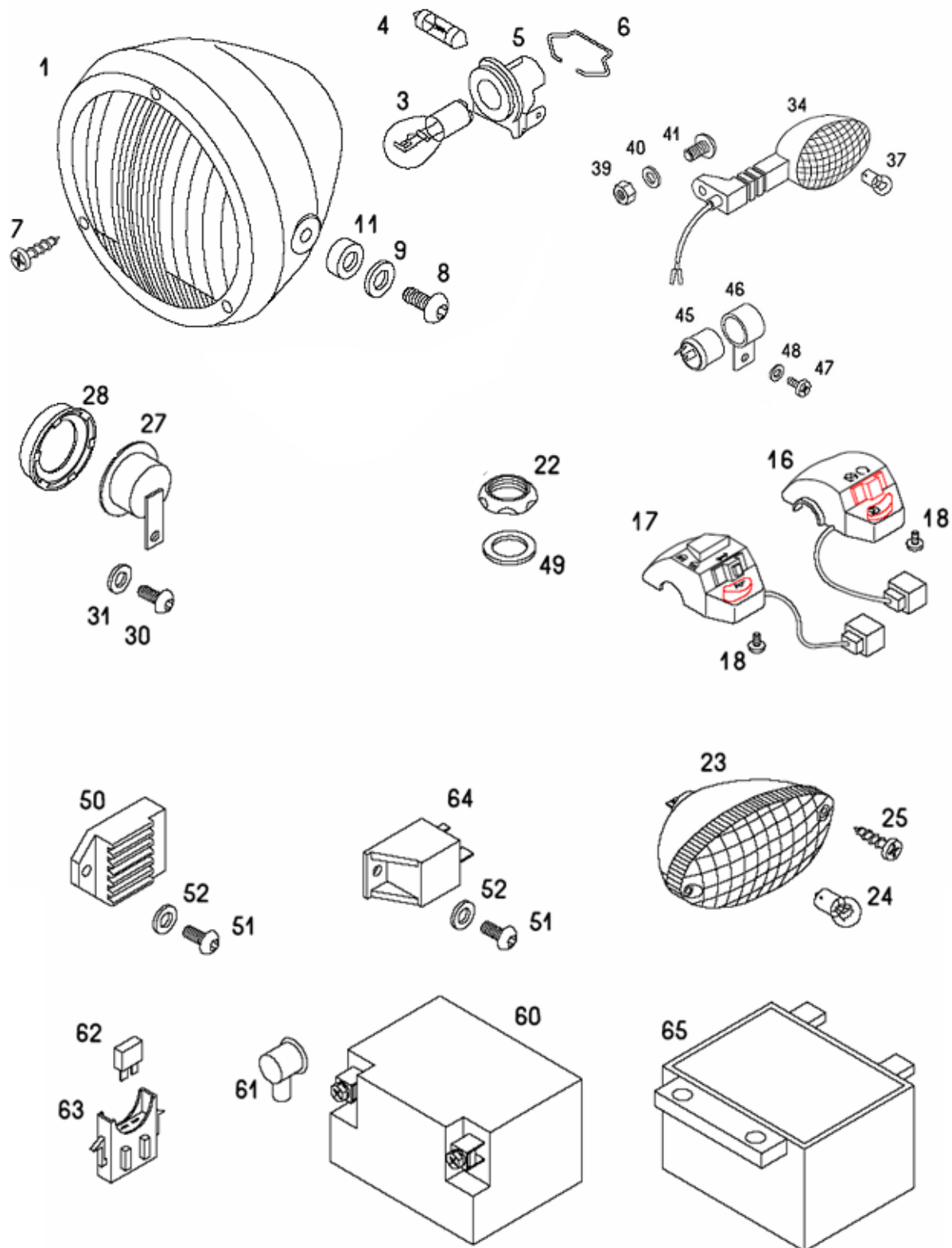


No.	*	Part No.	Denomination	A
1	L	242159LAK	REAR WHEEL HOLDER	1

A26BAC YOUNGST'R 45 Spare parts manuals

2		209212	CHAIN TENSIONER	1
3		25578	SCREW M10X80 (DIN931)	2
4		30042	NUT M10-5 ZN5GLCB SELFLOCKING	2
5		31513	WASHER A10,5	2
10	L	242261LAK	REAR WHEEL	1
11		236341	REAR WHEEL AXLE'YA	1
12		35151	BEARING 6204-2RSR 20X47X14	2
13		236343	DISTANCE TUBE D25x2L37	1
14		236344	WASHER d24,5D30s2	1
15		44158	WASHER A17	1
16		30052	NUT M16x1,5 SELFLOCKING	1
17		209078	SPOCKET Z26-Gd25	1
18		209079	PROTECTIVE PLATE	1
19		209080	NUT M22X1 H8-S30	1
20		236346	BRAKE SHOE YA-CPL	1
21		236347	SPACE BRAKE CAM	1
22		229684	BRAKE LEVER	1
23		222581	BOLT	1
24		31509	WASHER A6,4	2
25		31075	NUT M6	2
26		236348	AXLE	1
27		31933	WASHER A8,4	1
28		30041	NUT M8-5 SELFLOCKING	1
29		227114	CONTROL CAP	1
30		236326	TYRE 120/70-12 TUBELESS	1
31		236327	VALVE TUBELESS	1
32		209877	SPRING	1
33		230439	ADJUSTMENT SCREW M6X20	1
40	1	236493	CHAIN 98 (with part 41)	1
41	1	232996	CHAIN WASHER LINK	1

## ELECTRIC PARTS



No.	*	Part No.	Denomination	A
1		<b>232720</b>	<b>HEADLAMP (with parts 2-6)</b>	<b>1</b>
2		232941	HEADLAMP INSERT PIECE	1
3		232942	BULB 12V 35/35W BA 20D	1
4		044692	BULB 12V 5W S8.5	1
5		232943	HORN HOLDER	1
6		232944	CLAMP	1
7		044427	SCREW ST 2,9X32	3
8		033530	SCREW M8X35 (DIN 6921)	2
9		031933	WASHER 8	2
11		236557	DISTANCE TUBE	2
16		237129	SWITCH RIGHT WITH CABLE	1
17		237130	SWITCH LEFT WITH CABLE	1
18		232859	SCREW M5X22 black	4
-		236977	CABLE WEB FRONT	1
-		241091	CABLE WEB MIDDLE	1
-		236978	CABLE WEB REAR	1
-		236979	CABLE WEB FOR REGULATOR	1
22		232918	NUT FOR IGNITION LOCK	1
23		232721	REAR LIGHT (with part 24)	1
-		232948	REAR LIGHT GLASS	1
24		044681	BULB 12V 21/5W BAY 15D	1
25		044416	SCREW ST 4,2x38	2
27		236704	HORN	1
30		026706	SCREW M6X12(ISO 7380)	2
31		031509	WASHER 6	2
34		236854	WINKER F.R./R.L. (with part 37)	2
34		236855	WINKER F.L./R.R. (with part 37)	2
37		044689	BULB12V 10W	4
39		027242	SCREW M5X12 (ISO 7380)	4
40		031922	WASHER 5	4
41		030048	NUT M5 SELFLOCKING	4
49		206489	WASHER FOR IGNITION LOCK	1
50		230844	WOLTAGE REGULATOR	1
51		026689	SCREW M6X14 (ISO 7380)	1
52		031845	WASHER B6	1
60		230888	BATTERY	1
61		230886	TERMINAL CAP	2
62		230883	FUSE	1
63		230884	FUSE HOUSING	1
64		230843	STARTING RELAY 70A	1
65		236403	BATTERY HOLDER	1



**TOMOS**



TOMOS D.O.O.  
MOTOINDUSTRIJA  
ŠMARSKA CESTA 4  
SLOVENIJA

TOMOS INC.  
202 BEECHTREE BLVD.  
GREENVILE, SC 29605  
USA

TOMOS NEDERLAND B.V.  
KWEKWEG 34 - 8161 PG EPE  
POSTBUS 172 - 8160 AD EPE  
NEDERLAND